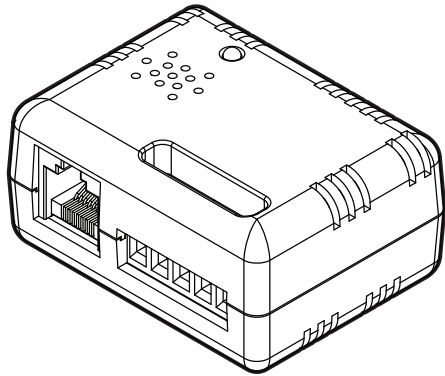


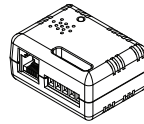
CyberPower

ENVIRONMENTAL SENSOR ENVIROSENSOR

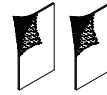


User Manual

Package Contents



ENVIROSENSOR



Hook and Loop Tape



User Manual



Flat Head Screw (M3x20)
with Plastic Nylon Anchor



CAT5 RJ45 Ethernet Cable
(10 feet/3.05 m)

Technical Specifications

ENVIROSENSOR	
Input Voltage	7V - 28V
Power Dissipation	Halt mode 72 mW/ Normal mode 110 mW (Default 12V input)
Measurement Range and Accuracy	
Temperature	32-158°F with accuracy $\pm 1.8^\circ\text{F}/$ 0-70°C with accuracy $\pm 1^\circ\text{C}$
Humidity	10-90 RH with accuracy $\pm 2\%$
Communication	
Connection Port	RJ45 Port
Input Dry Contact	4
Physical	
Dimensions (L x W x H)	2.32 x 1.77 x 1.14 inches/ 59 x 45 x 29 mm
Weight	1.46 oz /41.5 g
Safety Approvals	FCC Class B, CE, EAC
Warranty	3 Year Limited

Overview

The CyberPower environmental sensor (ENVIROSENSOR) along with selected Remote Management Cards (RMCARDXXX) or most Switched and Monitored PDUs enables users to monitor the temperature and humidity of a server closet and/or data center remotely. With CyberPower's PowerPanel® Business Edition software, users can establish thresholds that will automatically notify users when an event has occurred via email, SMS and SNMP traps. Additionally, the ENVIROSENSOR provides 4 input dry contacts that enable users to monitor the status of connected devices, such as door switch sensors.

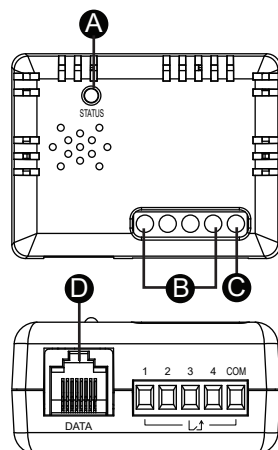
Features include:

- Real time environment monitoring
- Remote management and configuration of the sensor via Web Browsers or NMS
- Automatic events notification via email, SMS and SNMP traps
- 4 input dry contacts application interface provided
- Displays the name and location of the sensor and connected devices

Product Features

- A. LED
- B. Input Dry Contact 1-4
- C. Common Connection
- D. RJ45 Port
(connect to RMCARD/PDU)

NOTE: Please refer to Appendix for Input Dry Contact Application.



2

Installation Guide

Method 1: Hook and Loop Tape Mounting

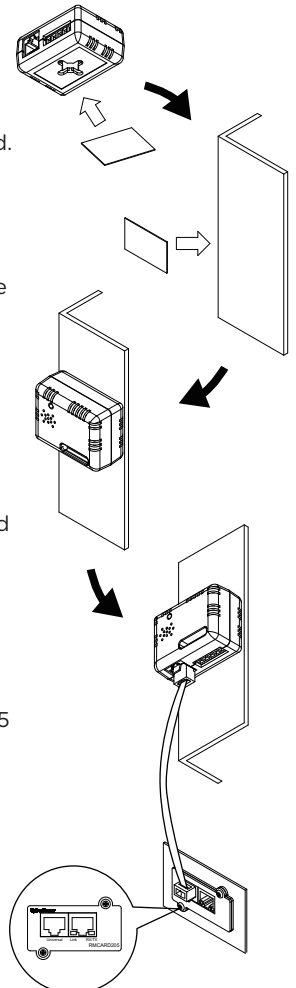
Step 1. Clean the surface of the area where the sensor will be installed. Apply one side of the hook and loop tape to the bottom of the sensor and the other side to the sensor location.

Step 2. Attach the sensor on the surface and hold for about 5 seconds to ensure cohesion.

NOTE: Once the sensor is installed, you will want to leave it in place to ensure the the hook and loop tape maintains its adhesiveness.

Step 3. To connect the sensor with RMCARD/PDU, use the attached RJ45 Ethernet Cable. Plug one end into the RJ45 Port and the other end into the RMCARD/PDU.

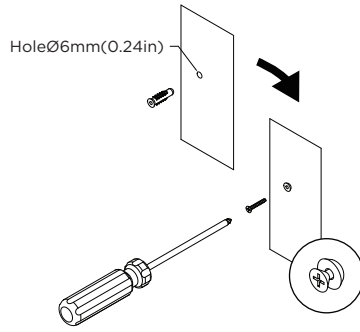
NOTE: If the distance of RMCARD/PDU and the sensor is longer than 10 feet/3.05 m, use a standard RJ45 Ethernet Cable as needed (max 50 feet/15 m).



3

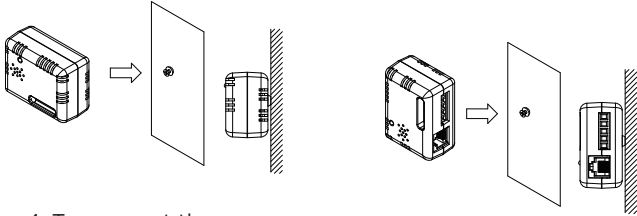
Method 2: Fixed Mounting

Step 1. Drill a hole that is compatible with the anchor and insert the included anchor.

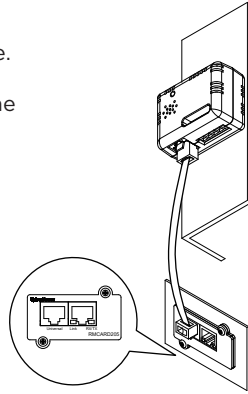


Step 2. Insert and tighten the screw into the anchor. Leave enough of the screw exposed for the sensor to be mounted to.

Step 3. Hang the sensor horizontally or vertically.



Step 4. To connect the sensor with RMCARD/PDU, use the attached RJ45 Ethernet Cable. Plug one end into the RJ45 Port and the other end into the RMCARD/PDU.



For further configuration information, please refer to the RMCARD/PDU user's manual.

4

Conformance Approvals

FCC Warning

This equipment has been tested and found to comply with the limits for a Class B digital device, pursuant to part 15 of the FCC Rules. These limits are designed to provide reasonable protection against harmful interference in a residential installation. This equipment generates, uses and can radiate radio frequency energy and, if not installed and used in accordance with the instructions, may cause harmful interference to radio communications. However, there is no guarantee that interference will not occur in a particular installation. If this equipment does not cause harmful interference to radio or television reception, which can be determined by turning the equipment off and on, the user is encouraged to try to correct the interference by one or more of the following measures:

- Reorient or relocate the receiving antenna.
- Increase the separation between the equipment and receiver.
- Connect the equipment into an outlet on a circuit different from that to which the receiver is connected.
- Consult the dealer or an experienced radio/TV technician for help.

This device complies with Part 15 of the FCC Rules. Operation is subject to the following two conditions: (1) this device may not cause harmful interference, and (2) this device must accept any interference received, including interference that may cause undesired operation.

NOTE: THE MANUFACTURER IS NOT RESPONSIBLE FOR ANY RADIO OR TV INTERFERENCE CAUSED BY UNAUTHORIZED TO THIS EQUIPMENT. SUCH MODIFICATIONS COULD VOID THE USER'S AUTHORITY TO OPERATE THE EQUIPMENT.

5

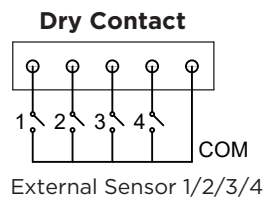
Troubleshooting

Problem	Solution
The RMCARD/PDU is not able to acquire environment sensor's information.	Check the LED. When the connection is ok, the LED should always be on; otherwise, ensure the RJ45 Ethernet cable is correctly connected to the RMCARD/PDU and sensor. Note: Do not use a crossover cable which is for Tx/Rx.
The Input Dry Contact does not function correctly.	Ensure the Input Dry Contact wires are correctly connected and make sure the open/short circuit setting of the connected devices is the same as the setting on the Web Interface.

Appendix

Input Dry Contact Application

Do not input signals that carry voltage into the input dry contacts. The input dry contacts only allow for open/short circuit.



WARNING: This product can expose you to chemicals including Styrene, which is known to the State of California to cause cancer, and Bisphenol-A, which is known to the State of California to cause birth defects or other reproductive harm.

For more information go to www.P65Warnings.ca.gov.

6

CyberPower

Cyber Power Systems, Inc.

www.cyberpower.com

For USA and Canada:

4241 12th Ave East, Suite 400

Shakopee, MN 55379

Toll-free: (877) 297-6937

For all other regions:

Please visit our website for local contact information.

