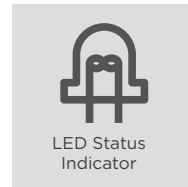
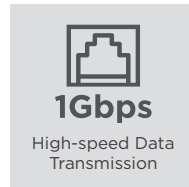
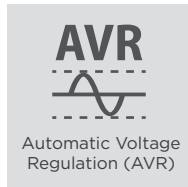
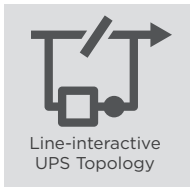




## ENERGY-SAVING TOWER UPS



### Energy-saving UPS systems help to save power consumption

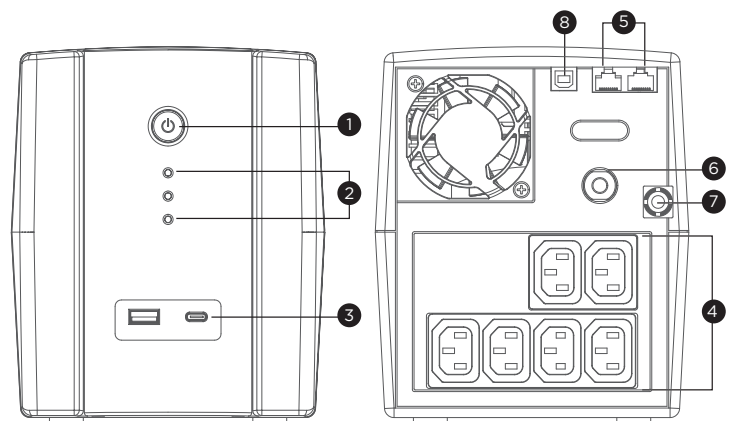
Designed for home and office applications, the UT Series adopts line-interactive topology with Automatic Voltage Regulation (AVR) function to offer stabilized AC power output. The patented GreenPower UPS™ Bypass design achieves ultra-low power consumption to reduce energy costs. The LED indicator shows the utility, battery and operating status of the UPS. Other features include overload protection, EMI filter and configurable alarm to safeguard your devices.

### SERIES FEATURES

- Energy Saving Technology
- Automatic Voltage Regulation (AVR)
- Generator Compatible
- LED Status Indicator
- USB Charging Port(s)
- Overload Protection
- Surge and Spike Protection
- Phone/Fax/Modem/DSL/Network Protection
- High-speed Ethernet Data Transmission
- USB Connectivity Port
- PowerPanel Management Software
- Configurable Alarm
- EMI and RFI Filtration

### PRODUCT CALLOUTS

- 1 . Power On/Off Switch
- 2 . LED Status Indicators
- 3 . USB Charging Port
- 4 . Battery Backup & Surge Protected Outlets
- 5 . Communication Protection Ports RJ11/RJ45
- 6 . Input Circuit Breaker
- 7 . AC Input Power Cord
- 8 . USB Port



UT1500/2200EIG



**TECHNICAL SPECIFICATIONS**

Model Name	UT1500EIG	UT2200EIG
<b>General</b>		
UPS Topology	Line-interactive	
Energy Saving Technology	GreenPower UPS™ Bypass Technology	
<b>Input</b>		
Generator Compatibility	Yes	
Nominal Input Voltage (Vac)	220/230/240	
Input Voltage Range (Vac)	167 - 295	
Input Frequency (Hz)	50, 60	
Input Frequency Detection	Auto-sensing	
Rated Input Current (A)	6.52	10
Input Connector Type	UK	
<b>Output</b>		
Capacity (VA)	1500	2200
Capacity (Watts)	900	1320
On Battery Waveform	Simulated Sine Wave	
On Battery Voltage(s) (Vac)	230 ± 10%	
On Battery Frequency (Hz)	50 ± 1%, 60 ± 1%	
Automatic Voltage Regulation (AVR)	Single Boost, Single Buck	
Overload Protection	Internal Current Limiting, Circuit Breaker	
Outlet(s) - Total	6	
Outlet Type	IEC C13 x 6	
Outlet(s) - Battery & Surge Protected	6	
Typical Transfer Time (ms)	4	
USB Charging Port(s)	USB-A x 1, USB-C x 1	
USB Charging Current	5V/2.1A	
<b>Battery</b>		
Runtime at 60W (min)	90	95
Runtime at 90W (min)	60	70
Runtime at 200W (min)	27	34
Typical Recharge Time (Hours)	8	
User-replaceable	No	
Battery Type	Sealed Lead-acid	
Replacement Battery Pack (RBP)	RBPO089	RBPO090
Replacement Battery Pack (RBP) Quantity (pcs)	2	
<b>Surge Protection &amp; Filtering</b>		
Surge Suppression (Joules)	150	
EMI/RFI Filtration	Yes	
Phone/Network Protection RJ11/RJ45 (Combo)	1-in, 1-out	
<b>Management &amp; Communications</b>		
LED Indicators	Power On, Line Mode, Battery Mode, Bypass Mode, Low Battery, Overload, UPS Fault	
HID Compliant USB Port(s)	1	
Audible Alarms	Battery Mode, Low Battery, Overload, UPS Fault	
Ethernet Data Transmission Speed	Up to 1Gbps	
Power Management Software	PowerPanel Personal (Recommended)	
<b>Physical</b>		
Form Factor	Tower	
<b>Physical Size - UPS Module</b>		
Dimensions (WxHxD) (mm.)	148 x 178 x 298	
Weight (kg.)	9.1	10.8
<b>Environmental</b>		
Operating Temperature (°C)	0 - 40	
Operating Relative Humidity (Non-condensing) (%)	0 - 90	
Online Thermal Dissipation (BTU/hr)	34.1	
<b>Certifications</b>		
RoHS	Yes	

#All specifications are subject to change without notice.