



# Battery Replacement Instructions

All CyberPower Systems replacement battery cartridges listed in this manual use Non-Spillable Sealed Lead Acid Batteries.

CyberPower Systems encourages environmentally sound methods for disposal and recycling of its battery cartridges. Please dispose of and/or recycle your batteries in accordance to the local regulations of your state.

K01-0000459-03

Replacement Battery Pack Table		
Model Name	Battery QTY	UPS or EBM Model
RB1290X3L, RBP0074	3	OL1000RTLX2U, OL1500RTLX2U, BP36V60ART2U (LEFT), OL1000ERTXL2U, OL1500ERTXL2U, BPE36V60ART2US (LEFT)
RB1290X3R, RBP0079	3	BP36V60ART2U (RIGHT), BPE36V60ART2US (RIGHT)
RB1290X3A, RBP0075	3	OL1000XL, OL1000EXL, OL1500XL, OL1500EXL
RB1290X6A, RBP0076	6	OL2200RTLX2U, OL3000RTLX2U, OL3000RTLX2UHV, OL2200ERTXL2U, OL3000ERTXL2U
RB1290X6B, RBP0077	6	BP72V60ART2U, BPE72V60ART2US
RB1290X6C, RBP0078	6	OL2200XL, OL3000XL, OL2200EXL, OL3000EXL
RB1290X10, RBP0072	10	BP240VL3U02, BP240V50A, BP240V50ART3U, OL8000, OL10000, BPE240V50A, BPE240V50ART3U, OL8000E, OL10000E, BPE240V50AS, BPE240V50ART3US
RB1270X10, RBP0073	10	BP240VL3U01, BP240V30A, BP240V30ART3U, OL6000, BPE240V30A, BPE240V30ART3U, OL6000E, BPE240V30AS, BPE240V30ART3US
RBP0131	12	BP72V60ART2U, BPE72V60ART2US
RBP0132	6	BP36V60ART2U, BPE36V60ART2US
RBP0133	20	BP240V50A, BP240V50ART3U, OL8000, OL10000, BPE240V50A, BPE240V50ART3U, OL8000E, OL10000E, BPE240V50AS, BPE240V50ART3US
RBP0134	20	BP240V30A, BP240V30ART3U, OL6000, BPE240V30A, BPE240V30ART3U, OL6000E, BPE240V30AS, BPE240V30ART3US
RBP0144, RB1260X12	12	OL5KRTHD, OL6KRTHD, OL5KERTHD, OL6KERTHD
RBP0145, RB1290X6D	6	BP144VL2U01, BPE144VL2U01



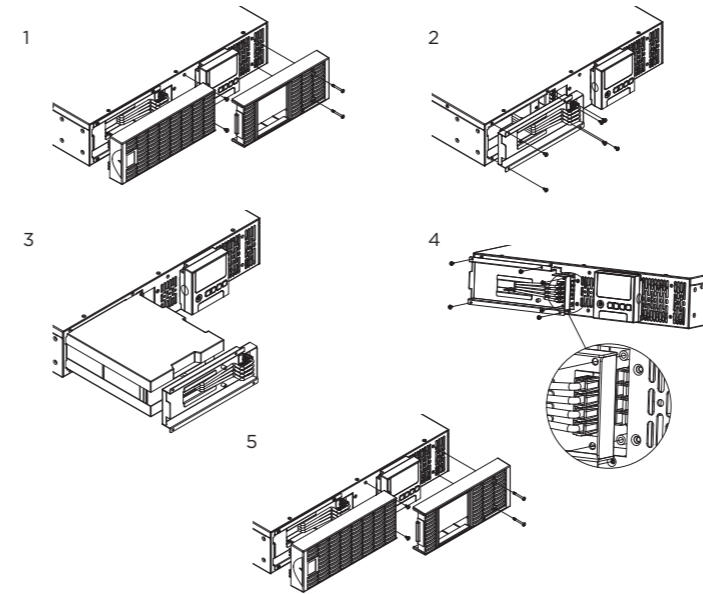
CyberPower Systems, Inc.  
www.cyberpower.com

**For USA and Canada:**  
4241 12th Ave East, Suite 400  
Shakopee, MN 55379  
Toll-free: (877) 297-6937

**For all other regions:**  
Please visit our website for local contact information.

## Smart App Online RT 1-3KVA Series

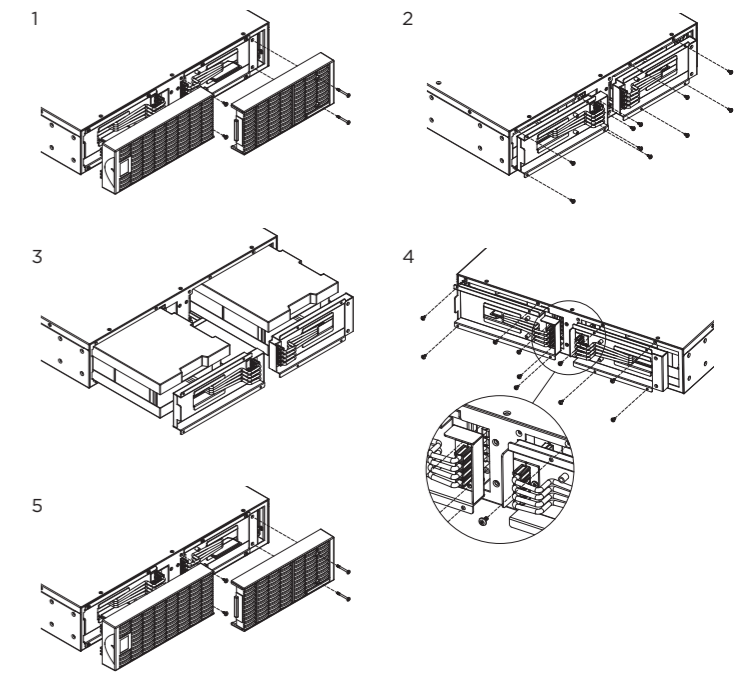
MODEL: OL1000RTLX2U, OL1500RTLX2U, OL2200RTLX2U, OL3000RTLX2U, OL3000RTLX2UHV, OL1000ERTXL2U, OL1500ERTXL2U, OL2000ERTXL2U, OL3000ERTXL2U, OL1000RT JP, OL1500RT JP, OL2200RT JP, OL3000RT JP



1. Remove the front panel.
2. Remove the screws securing the battery retention panel.
3. Pull the battery pack out together with the retention panel slowly and then put the new battery pack back into the UPS.
4. Reconnect the battery pack connectors to the UPS. Then tighten the screws of the battery retention panel.
5. Reinstall the front panel.

## Smart App Online EBM for RT 1-1.5KVA Series

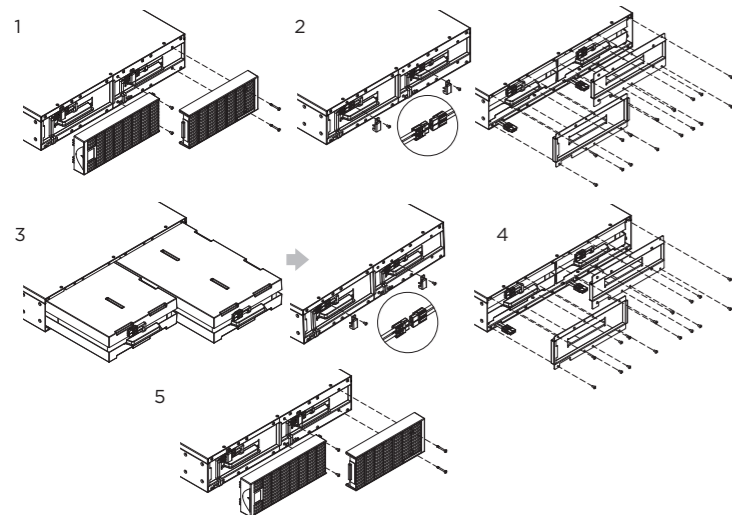
MODEL: BP36V60ART2U, BPE36V60ART2U, BPE36V60ART2US



1. Remove the front panel.
2. Remove the screws securing the battery retention panels.
3. Pull the battery packs out together with the retention panels slowly and then put the new battery packs back into the EBM.
4. Reconnect the battery pack connectors to the EBM enclosure. Then tighten the screws of the battery retention panel.
5. Reinstall the front panel.

## Smart App Online EBM for RT 2-3KVA Series

MODEL: BP72V60ART2U, BPE72V60ART2U, BPE72V60ART2US



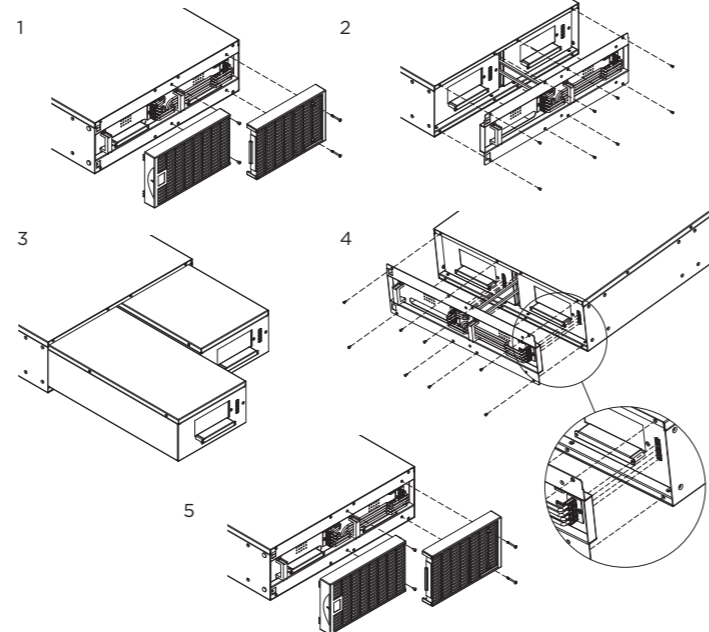
1. Remove the front panel.
2. Remove the screws securing the battery retention panels. Unscrew the battery connector retention hardware. Disconnect the battery power cables and then remove the panel itself.
3. Pull the battery packs out slowly and then put the new battery packs back into the compartment.
4. Reconnect the battery pack to the EBM enclosure and screw on the battery connector retention hardware. Tighten the screws of the battery retaining cover.

**WARNING** - It is very important to reconnect battery connections with the correct polarity. Connectors are color coded red and black for positive and negative polarity respectively. Permanent damage may be caused to the equipment if polarity is reversed.

5. Reinstall the front panel.

## Smart App Online RT 6-10KVA Series

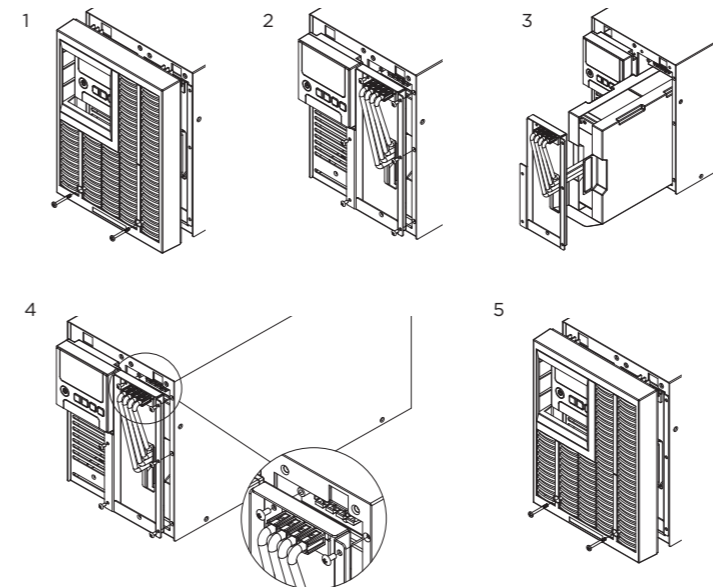
MODEL: BP240VL3U01, BP240VL3U02, BP240V30ART3U, BP240V50ART3U, BPE240V30ART3U, BPE240V50ART3U, BPE240V30ART3US, BPE240V50ART3US



1. Remove the front panel.
2. Remove the screws securing the battery retention panel.
3. Raise the battery retention panel above the battery compartment opening to allow the battery trays to be pulled out. Then put the new battery trays into the compartment.
4. Align and reconnect the battery connectors and tighten the screws of the battery retention panel.
5. Reinstall the front panel.

## Smart App Online Tower 1-3KVA Series

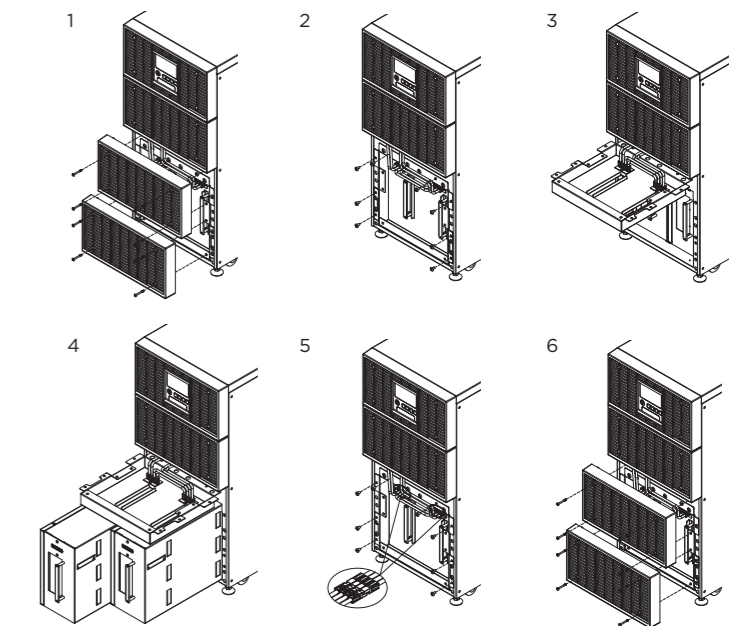
MODEL: OL1000XL, OL1500XL, OL2200XL, OL3000XL, OL1000EXL, OL1500EXL, OL2000EXL, OL3000EXL, OL1000XL JP, OL1500XL JP, OL2200XL JP, OL3000XL JP



1. Remove the front panel.
2. Remove the screws securing the battery retention panel.
3. Pull the battery pack out together with the retention panel slowly and then put the new battery pack back into the UPS.
4. Reconnect the battery pack connectors to the UPS. Then tighten the screws of the battery retention panel.
5. Reinstall the front panel.

## Smart App Online Tower 6-10KVA Series

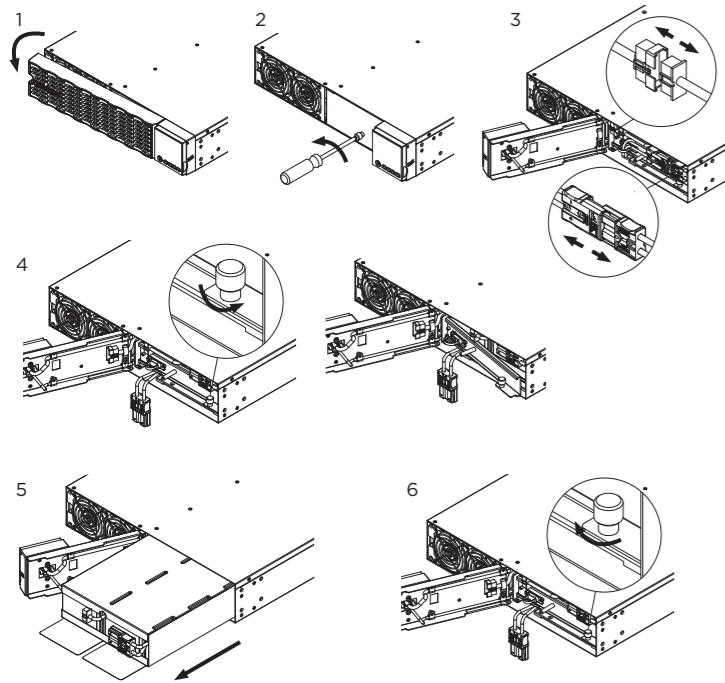
MODEL: OL6000, OL8000, OL10000, OL6000E, OL8000E, OL10000E



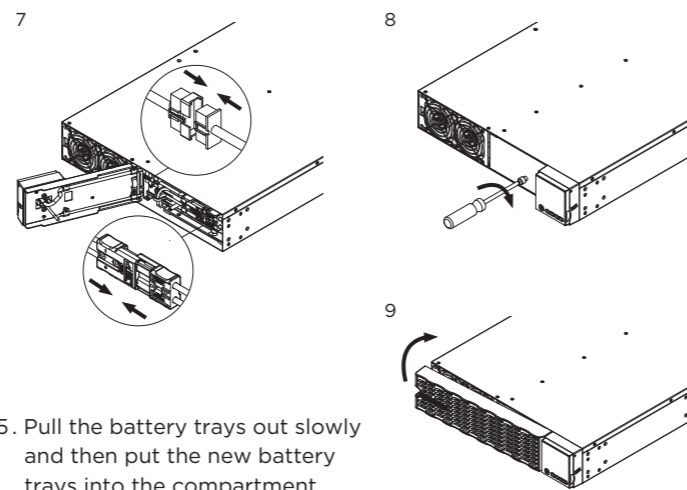
1. Remove the front panel.
2. Remove the screws securing the battery retention panel.
3. Raise the battery retention panel above the battery compartment opening to allow the battery trays to be pulled out.
4. Pull the battery trays out slowly and then put the new battery trays back into the compartment.
5. Reconnect the battery connectors and tighten the screws of battery retention panel.
6. Reinstall the front panel.

### Smart App Online RT 5-6KHD Series

MODEL: OL5KRTHD, OL6KRTHD, OL5KERTHD, OL6KERTHD



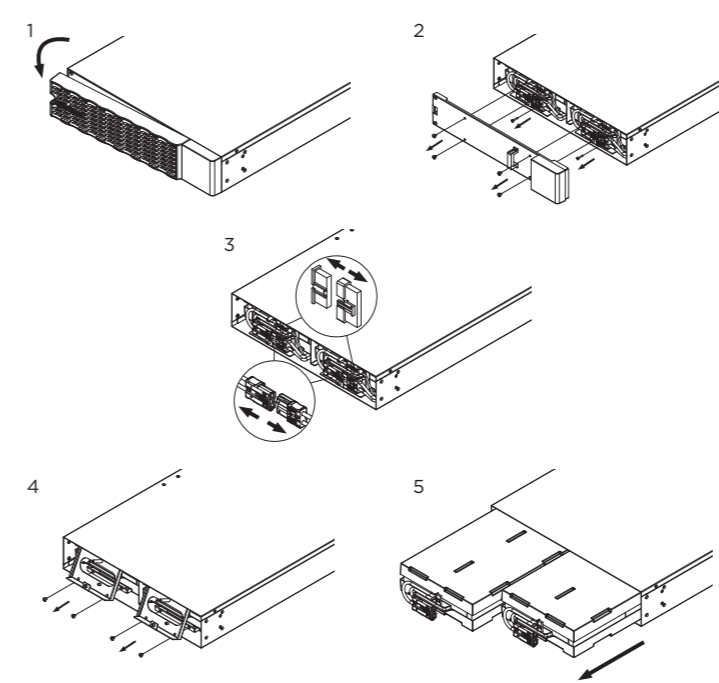
1. Remove the front panel.
2. Unscrew and open the battery access door. This screw is designed to be fixed on the door, do not remove it from the metal cover.
3. Disconnect the internal battery connector and battery management module connector.
4. Unscrew the thumbscrew on the battery retention bracket and then remove it.



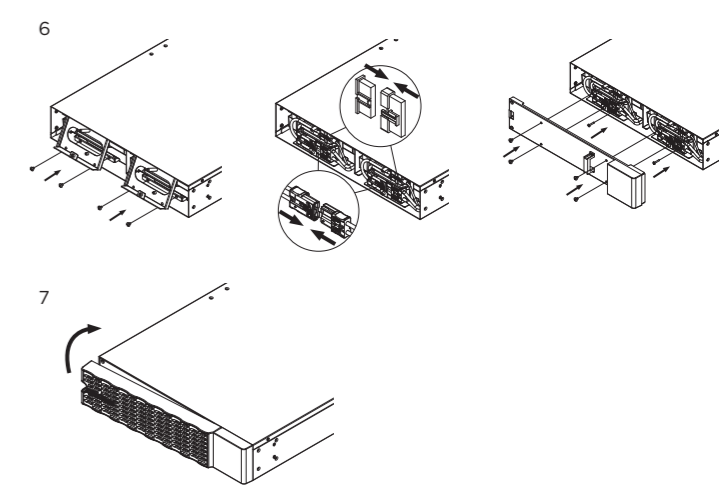
5. Pull the battery trays out slowly and then put the new battery trays into the compartment.
6. Assemble the battery retention bracket and tighten the thumbscrew.
7. Connect the internal battery connector and battery management module connector. Ensure that they are seated properly (connector will click into place).
8. Tighten the screw on the battery access door and install the front panel.
9. Execute a battery test via the LCD control panel. To do this go to the Main Menu and select the Diagnostics Icon, then select Battery Test and Activate. After the Battery Test, go back to the Main Menu and select the Set UP icon, then select Battery Install Date to set the battery installation date. This operation can also be done via PowerPanel® Business Edition Agent or the RMCARD web interface. Please see their respective User Manuals for detailed instructions.

### Smart App Online EBM for RT 5-6KHD Series

MODEL: BP144VL2U01, BPE144VL2U01



1. Remove the front panel.
2. Unscrew and open the battery access door. Loosen the two screws on the battery connectors.
3. Disconnect the battery and battery management module connector.
4. Unscrew the battery retention bracket and then open it.
5. Pull the battery trays out slowly and then put the new battery trays into the compartment.



6. Assemble battery retention cover and the battery connectors. Tighten the battery access door.
7. Install the front panels. Execute a battery test via the LCD control panel. To do this go to the Main Menu and select the Diagnostics Icon, then select Battery Test and Activate. After the Battery Test, go back to the Main Menu and select the Set UP icon, then select Battery Install Date to set the battery installation date. This operation can also be done via PowerPanel® Business Edition Agent or the RMCARD web interface. Please see their respective User Manuals for detailed instructions.