

MV-CS050-10UM/UC

5 MP 2/3" CMOS USB3.0 Area Scan Camera



GEN<i>i>CAM

USBTM
VISION

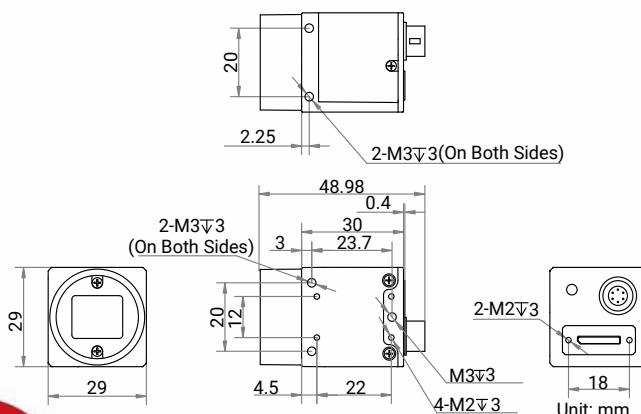
Introduction

MV-CS050-10UM/UC camera adopts Sony® IMX264 sensor to provide high-quality images. It uses USB3.0 interface to transmit non-compressed images in real time, and its max. frame rate can reach 60 fps in full resolution.

Key Feature

- Adopts brand new design to reduce power consumption.
- Supports LSC, Sequencer, Super Palette, etc.
- Supports hardware trigger, software trigger, and free run.
- Compact design with mounting holes on panels for flexible mounting from 4 sides.
- Compatible with USB3 Vision Protocol, GenICam Standard, and the third-party software based on the protocol and standard.

Dimension



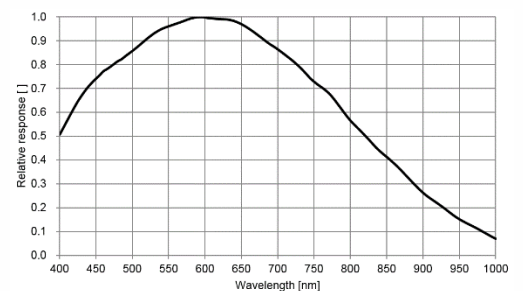
Available Model

- Mono camera: MV-CS050-10UM
- Color camera: MV-CS050-10UC

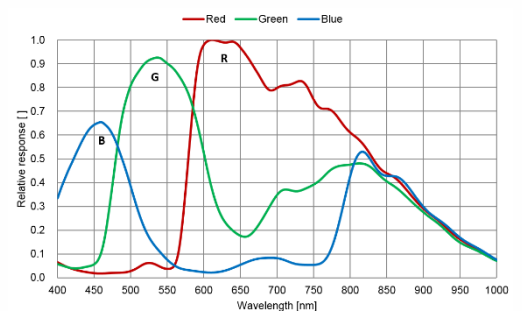
Applicable Industry

Electronics and semiconductor, factory automation, medicine package, etc.

Sensor Quantum Efficiency



MV-CS050-10UM



MV-CS050-10UC



Specification

Model	MV-CS050-10UM	MV-CS050-10UC
Performance		
Sensor type	CMOS, global shutter	
Sensor model	Sony® IMX264	
Pixel size	3.45 μm × 3.45 μm	
Sensor size	2/3"	
Resolution	2448 × 2048	
Max. frame rate	60 fps @2448 × 2048 Mono 8	60 fps @2448 × 2048 Bayer RG 8
Dynamic range	71 dB	
SNR	40 dB	
Gain	0 dB to 24 dB	
Exposure time	UltraShort exposure mode: 1 μs to 14 μs	
	Standard exposure mode: 15 μs to 10 sec	
Exposure mode	Off/Once/Continuous exposure mode	
Mono/color	Mono	Color
Pixel format	Mono 8/10/10Packed/12/12Packed	Mono 8/10/12, Bayer RG 8/10/10Packed/12/12Packed, YUV422_YUYV_Packed, YUV 422 Packed, RGB 8, BGR 8
Binning	Supports 1 × 1, 2 × 2, 4 × 4	
Decimation	Supports 1 × 1, 2 × 2	
Reverse image	Supports horizontal and vertical reverse image output	
Electrical features		
Data interface	USB3.0, compatible with USB2.0	
Digital I/O	6-pin P7 connector provides power and I/O, including opto-isolated input × 1 (Line 0), opto-isolated output × 1 (Line 1), bi-directional non-isolated I/O × 1 (Line 2).	
Power supply	9 VDC to 24 VDC, supports USB3.0 power supply	
Power consumption	Typ. 3.2 W@5 VDC (USB3.0 provides power supply)	Typ. 2.8 W@5 VDC (USB3.0 provides power supply)
Mechanical		
Lens mount	C-Mount	
Dimension	29 mm × 29 mm × 30 mm (1.1" × 1.1" × 1.2")	
Weight	Approx. 80 g (0.2 lb.)	
Ingress protection	IP40 (under proper lens installation and wiring)	
Temperature	Working temperature: -30 °C to 60 °C (-22 °F to 140 °F)	
	Storage temperature: -30 °C to 70 °C (-22 °F to 158 °F)	
Humidity	20% to 95% RH, non-condensing	
General		
Client software	MVS or third-party software meeting with USB3 Vision Protocol	
Operating system	32/64-bit Windows XP/7/10, 32/64-bit Linux and 64-bit MacOS	
Compatibility	USB3 Vision, GenICam	
Certification	CE, KC, RoHS	

HIKROBOT

Hangzhou Hikrobot Co., Ltd.
en.hikrobotics.com

MaxxVision®

Sigmaringer Str. 121
70567 Stuttgart
Tel.: 0711 997 996 3
www.maxxvision.com

© Hangzhou Hikrobot Co., Ltd. All Rights Reserved.

Hangzhou Hikrobot does not tolerate any infringement. Any organization or individual may not imitate or reproduce in whole or in part of the content. The data herein is based on Hikrobot's internal evaluation. Actual data may vary depending on specific configuration and operating condition. The information herein is subject to change without notice. All the content has been checked conscientiously. Nevertheless, Hikrobot shall not be liable to damages resulting from errors, inconsistencies or omissions.