



EXTENDED BATTERY MODULE TO PROLONG RUNTIME

The battery module ensures extended system runtime during power outages

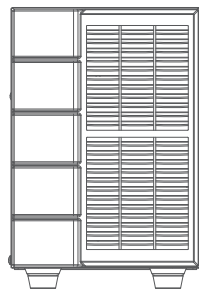
Designed for data center and critical applications, the Extended Battery Module (EBM) Series can be used in conjunction with compatible UPS systems to provide prolonged system runtime during power interruption. The battery modules come with DC plug-and-play power connectors to allow for adding multiple EBMs. The sealed lead-acid batteries used within the EBMs are stable and safe, which ensure the power system's reliable performance.

SERIES FEATURES

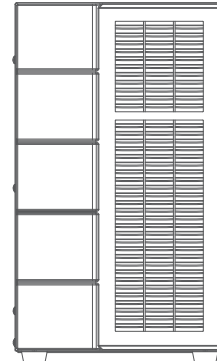
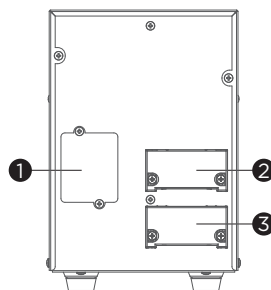
- Sealed Lead-acid Batteries
- EBM Expansion Capability
- Metal Housing

PRODUCT CALLOUTS

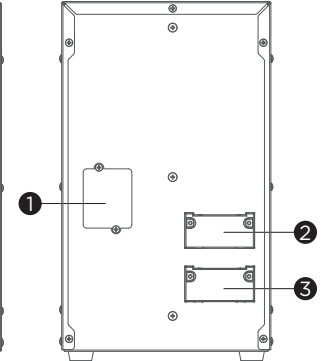
1. On-board Replaceable Fuse Cover
2. DC Output Connector
3. DC Input Connector



BPSE36V45A



BPSE72V45A



TECHNICAL SPECIFICATIONS

Model Name	BPSE36V45A	BPSE72V45A
General		
Nominal Output Voltage (Vdc)	36	72
Rated Output Current (A)		45
Battery		
Battery Type	Sealed Lead-acid	
Built-in Charger	No	
Typical Recharge Time (Hours)	10 (Depends on Connected UPS)	
User-replaceable	No	
Expansion Ready	Yes	
Compatible UPS	OLS1000E, OLS1500E, OLS1000EXL, OLS1500EXL	OLS2000E, OLS3000E, OLS2000EXL, OLS3000EXL
Physical		
Form Factor	Tower	
Physical Size		
Dimensions (WxHxD) (mm.)	151 x 225 x 394	196 x 337 x 416
Weight (kg.)	17.2	34.2
Environmental		
Operating Temperature (°C)	0 - 40	
Operating Relative Humidity (Non-condensing) (%)	0 - 90	
Certifications		
Certifications*	CE, EAC	
RoHS	Yes	

*Certifications may vary according to different regions. Visit www.cyberpower.com for more information.
#All specifications are subject to change without notice.

CyberPower and the CyberPower logo are trademarks of Cyber Power Systems, Inc., and/or affiliates, which are registered in many countries and regions. All other trademarks are the property of their respective owners.

