

# MV-CH250-20CM

25 MP CMOS Camera Link Area Scan Camera



GEN<i>i</i>CAM



## Introduction

MV-CH250-20CM camera adopts OnSemi Python25K sensor and Camera Link interface to provide high quality and non-compressed images in real time. Its max. frame rate reaches up to 31.3 fps in full resolution.

## Key Feature

- Resolution of 5120 × 5120 and pixel size of 4.5 μm × 4.5 μm.
- Adopts global shutter CMOS sensor providing wide dynamic range and high-quality image.
- Supports configuration modes of Full and 80-bit via the Camera Link interface.
- Adopts compact design with mounting holes for flexible mounting.

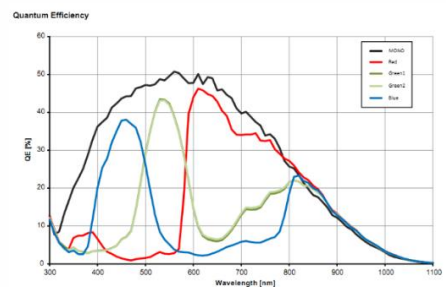
## Available Model

MV-CH250-20CM-M58S-NN

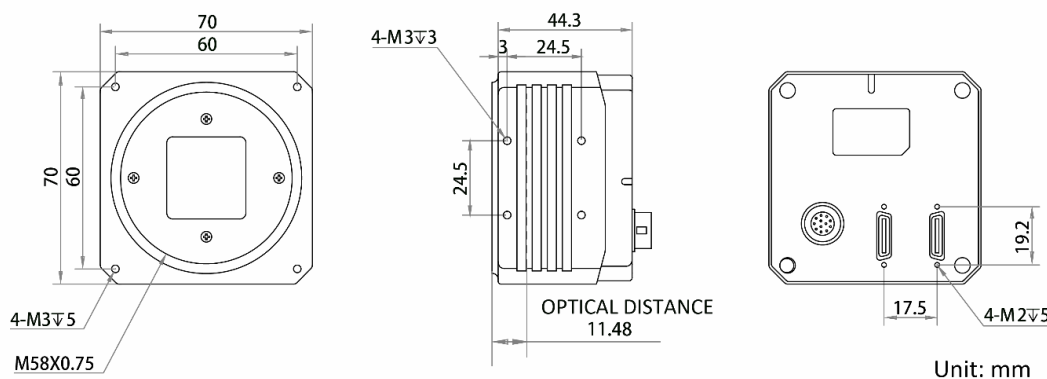
## Applicable Industry

SMT/ PCB AOI, FPD, high-accuracy measurement, etc.

## Sensor Quantum Efficiency



## Dimension



# Specification

<b>Model</b>	<b>MV-CH250-20CM</b>
<b>Camera</b>	
<b>Sensor type</b>	CMOS, global shutter
<b>Sensor model</b>	OnSemi Python25K
<b>Pixel size</b>	4.5 $\mu\text{m}$ $\times$ 4.5 $\mu\text{m}$
<b>Sensor size</b>	23 mm $\times$ 23 mm
<b>Resolution</b>	5120 $\times$ 5120
<b>Configuration mode</b>	Full, 80-bit
<b>Tap geometry</b>	8X_1Y, 10X_1Y
<b>Tap number</b>	8 Taps, 10 Taps
<b>Max. frame rate</b>	31.3 fps @5120 $\times$ 5120
<b>Pixel clock</b>	60 MHz, 70 MHz, 85 MHz
<b>Dynamic range</b>	59 dB
<b>SNR</b>	41 dB
<b>Gain</b>	0 dB to 32 dB
<b>Exposure time</b>	45 $\mu\text{s}$ to 10 sec
<b>Mono/color</b>	Mono
<b>Pixel format</b>	Mono 8
<b>Exposure mode</b>	Off/Once/Continuous exposure mode
<b>Binning</b>	Not support
<b>Decimation</b>	Not support
<b>Reverse image</b>	Supports horizontal and vertical reverse image output
<b>Electrical feature</b>	
<b>Data interface</b>	Camera Link with SDR interface
<b>Digital I/O</b>	12-pin Hirose connector provides power and I/O, including opto-isolated input $\times$ 1 (Line 0), opto-isolated output $\times$ 1 (Line 1), bi-directional non-isolated I/O $\times$ 1 (Line 2), RS-232 $\times$ 1
<b>Power supply</b>	9 VDC to 24 VDC
<b>Power consumption</b>	Typ. 9.4 W@24 VDC
<b>Mechanical</b>	
<b>Lens mount</b>	M58-Mount, optical back focal length 11.48 mm (0.5")
<b>Dimension</b>	70 mm $\times$ 70 mm $\times$ 44.3 mm (2.8" $\times$ 2.8" $\times$ 1.7")
<b>Weight</b>	Approx. 380 g (0.8 lb.)
<b>Ingress protection</b>	IP40 (under proper lens installation and wiring)
<b>Temperature</b>	Working temperature: 0 $^{\circ}\text{C}$ to 50 $^{\circ}\text{C}$ (32 $^{\circ}\text{F}$ to 122 $^{\circ}\text{F}$ ) Storage temperature: -30 $^{\circ}\text{C}$ to 70 $^{\circ}\text{C}$ (-22 $^{\circ}\text{F}$ to 158 $^{\circ}\text{F}$ )
<b>Humidity</b>	20% to 95% RH, non-condensing
<b>General</b>	
<b>Client software</b>	MVS or frame grabber software meeting with GenICam Protocol
<b>Operating system</b>	32/64-bit Windows XP/7/10
<b>Compatibility</b>	Camera Link V2.0, GenICam
<b>Certification</b>	CE, FCC, RoHS, KC

## HIKROBOT

Hangzhou Hikrobot Technology Co., Ltd.  
No.399 Danfeng Road, Binjiang District, Hangzhou 310051, China.  
en.hikrobotics.com

Copyright Hikrobot

Hangzhou Hikrobot Technology Co., Ltd. All Rights Reserved. Hangzhou Hikrobot Technology does not tolerate any infringement. Any organization or individual may not imitate or reproduce in whole or in part of the content. The data herein is based on Hikrobot's internal evaluation. Actual data may vary depending on specific configuration and operating condition. The information herein is subject to change without notice. All the content has been checked conscientiously. Nevertheless, Hikrobot shall not be liable to damages resulting from errors, inconsistencies or omissions.