

MV-CH650-90YM/YC

65 MP CMOS CoaXPress Area Scan Camera



GEN*i*CAM

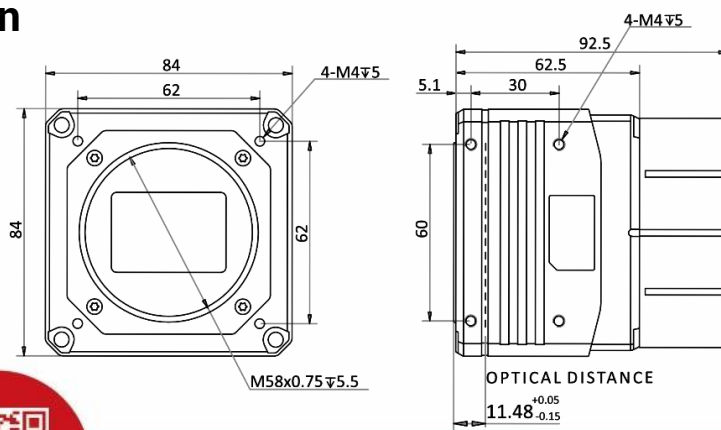
Introduction

MV-CH650-90YM/YC camera adopts Gpixel GMAX3265 sensor to provide high-quality image. It uses CXP-12 interface to transmit non-compressed images in real time, and its max. frame rate can reach 71 fps in full resolution.

Key Feature

- Resolution of 9344 × 7000, pixel size of 3.2 μm × 3.2 μm.
- Adopts global shutter CMOS to provide high dynamic range, SNR, and high-quality images.
- Supports LSC sequencer polling function.
- Adopts CXP-12 interface to transmit data.
- Supports the flat field correction.
- Compatible with CoaXPress Protocol, GenICam Standard, and third-party software based on the protocol and standard.

Dimension



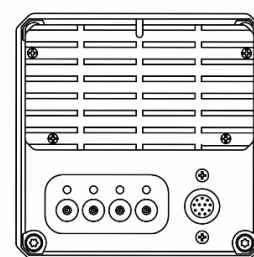
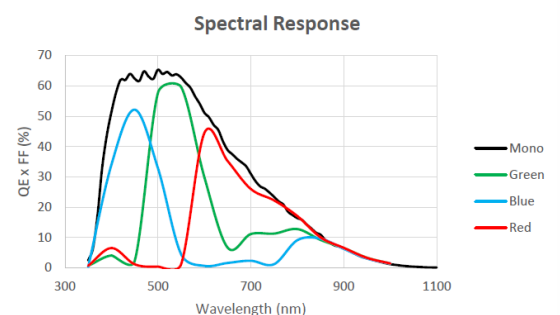
Available Model

- Mono camera: MV-CH650-90YM-M58S-NN
- Color camera: MV-CH650-90YC-M58S-NN

Applicable Industry

PCB AOI, FPD, high-accuracy measurement, etc.

Sensor Quantum Efficiency



Unit: mm



Specification

Model	MV-CH650-90YM	MV-CH650-90YC
Camera		
Sensor type	CMOS, global shutter	
Sensor model	Gpixel GMAX3265	
Pixel size	3.2 μm \times 3.2 μm	
Sensor size	29.9 mm \times 22.4 mm	
Resolution	9344 \times 7000	
Max. frame rate	71 fps @9344 \times 7000	
Dynamic range	66 dB	
SNR	40 dB	
Gain	1.25x	
Exposure time	15 μs to 10 sec	
Exposure mode	Off/Once/Continuous exposure mode	
Mono/color	Mono	Color
Pixel format	Mono 8/10/12	Bayer BG 8/10/12
Binning	Supports 1 \times 1, 2 \times 2, 4 \times 4	
Decimation	Supports 1 \times 1, 2 \times 2, 4 \times 4	
Reverse image	Supports horizontal and vertical reverse image output	
Electrical features		
Data interface	CoaXPress with Micro-BNC interface	
Digital I/O	12-pin P10 connector provides power and I/O, including opto-isolated input \times 1 (Line 0), opto-isolated output \times 1 (Line 1), bi-directional non-isolated I/O \times 1 (Line 2), and RS-232 \times 1.	
Power supply	24 VDC, CXP-1 and CXP-2 connectors support PoCXP	
Power consumption	Typ. 13.0 W@24 VDC	Typ. 13.2 W@24 VDC
Mechanical		
Lens mount	M58*0.75, optical back focal length 11.48 mm (0.5")	
Dimension	84 mm \times 84 mm \times 62.5 mm (3.3" \times 3.3" \times 2.5")	
Weight	Approx. 650 g (1.4 lb.)	
Ingress protection	IP40 (under proper lens installation and wiring)	
Temperature	Working temperature: 0 $^{\circ}\text{C}$ to 50 $^{\circ}\text{C}$ (32 $^{\circ}\text{F}$ to 122 $^{\circ}\text{F}$) Storage temperature: -30 $^{\circ}\text{C}$ to 70 $^{\circ}\text{C}$ (-22 $^{\circ}\text{F}$ to 158 $^{\circ}\text{F}$)	
Humidity	20% to 95% RH, non-condensing	
General		
Client software	MVS or frame grabber software meeting with CoaXPress Protocol	
Operating system	32/64-bit Windows 7/10 with 8 GB memory or above	
Compatibility	CoaXPress, GenICam	
Certification	CE, FCC, RoHS, KC	

Distribution Partner:



SCORPION VISION