

MV-CA013-A0GMC

1.3 MP 1/2" CMOS GigE Area Scan Camera



GEN*i*CAM

GIG*E* VISION

Introduction

With GigE interface, MV-CA013-A0GMC camera adopts CMOS sensor to provide high-quality images and transmit images in real time, and its max. frame rate can reach 92.8 fps in full resolution.

Key Feature

- Supports auto or manual adjustment of gain and exposure time, manual adjustment of LUT and Gamma correction, etc.
- Supports hardware trigger, software trigger and free run, etc.
- Adopts GigE interface and max. transmission distance of 100 meters without relay.
- Compatible with GigE Vision V2.0 Protocol, GenICam Standard, and third-party software based on the protocol and standard.

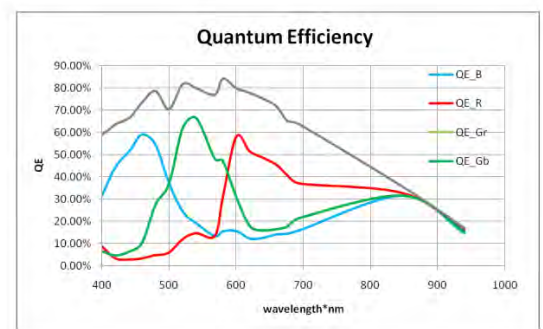
Available Model

- Mono camera: MV-CA013-A0GM
- Color camera: MV-CA013-A0GC

Applicable Industry

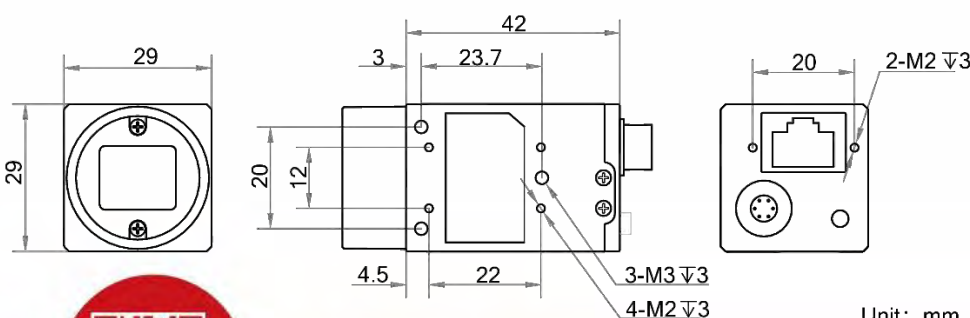
SMT/ PCB AOI, consumer electronics, electrical semiconductor, etc.

Sensor Quantum Efficiency



MV-CA013-A0GMC

Dimension



Specification

Model	MV-CA013-A0GM	MV-CA013-A0GC
Camera		
Sensor type	CMOS, global shutter	
Pixel size	4.8 μm	
Sensor size	1/2"	
Resolution	1280 \times 1024	
Max. frame rate	92.8 fps @1280 \times 1024	
Dynamic range	54 dB	
SNR	40.6 dB	
Gain	0 dB to 16 dB	
Exposure time	9 μs to 10 sec	
Exposure mode	Off/Once/Continuous exposure mode	
Mono/color	Mono	Color
Pixel format	Mono 8/10/10p/12/12p	Mono 8/10/12, Bayer RG 8/10/10p/12/12p, YUV 422 (YUYV) Packed, YUV 422 Packed, RGB 8, BGR 8
Binning	Supports 1 \times 1, 2 \times 2, 4 \times 4	
Decimation	Supports 1 \times 1, 2 \times 2, 4 \times 4	
Reverse image	Supports horizontal and vertical reverse image output	
Electrical features		
Data interface	Gigabit Ethernet, compatible with Fast Ethernet	
Digital I/O	6-pin Hirose connector provides power and I/O, including opto-isolated input \times 1 (Line 0), opto-isolated output \times 1 (Line 1), bi-directional non-isolated I/O \times 1 (Line 2).	
Power supply	9 VDC to 24 VDC, supports PoE	
Power consumption	Typ. 2.3 W@12 VDC	Typ. 2.7 W@12 VDC
Mechanical		
Lens mount	C-Mount	
Dimension	29 mm \times 29 mm \times 42 mm (1.1" \times 1.1" \times 1.2")	
Weight	Approx. 100 g (0.22 lb.)	
Ingress protection	IP30	
Temperature	Working temperature: 0 $^{\circ}\text{C}$ to 50 $^{\circ}\text{C}$ (32 $^{\circ}\text{F}$ to 122 $^{\circ}\text{F}$) Storage temperature: -30 $^{\circ}\text{C}$ to 70 $^{\circ}\text{C}$ (-22 $^{\circ}\text{F}$ to 158 $^{\circ}\text{F}$)	
Humidity	20% to 95% RH, non-condensing	
General		
Client software	MVS or third-party software meeting with GigE Vision Protocol	
Operating system	32/64-bit Windows XP/7/10, 32/64-bit Linux and 64-bit MacOS	
Compatibility	GigE Vision V2.0, GenICam	
Certification	CE, FCC, RoHS, KC	

HIKROBOT

Hangzhou Hikrobot Technology Co., Ltd.
No.399 Danfeng Road, Binjiang District, Hangzhou 310051, China.
en.hikrobotics.com

MaxxVision®

Sigmaringer Str. 121
70567 Stuttgart
Tel.: 0711 997 996 3
www.maxxvision.com

Copyright Hikrobot

Hangzhou Hikrobot Technology Co., Ltd. All Rights Reserved. Hangzhou Hikrobot Technology does not tolerate any infringement. Any organization or individual may not imitate or reproduce in whole or in part of the content. The data herein is based on Hikrobot's internal evaluation. Actual data may vary depending on specific configuration and operating condition. The information herein is subject to change without notice. All the content has been checked conscientiously. Nevertheless, Hikrobot shall not be liable to damages resulting from errors, inconsistencies or omissions.